

Technical Data

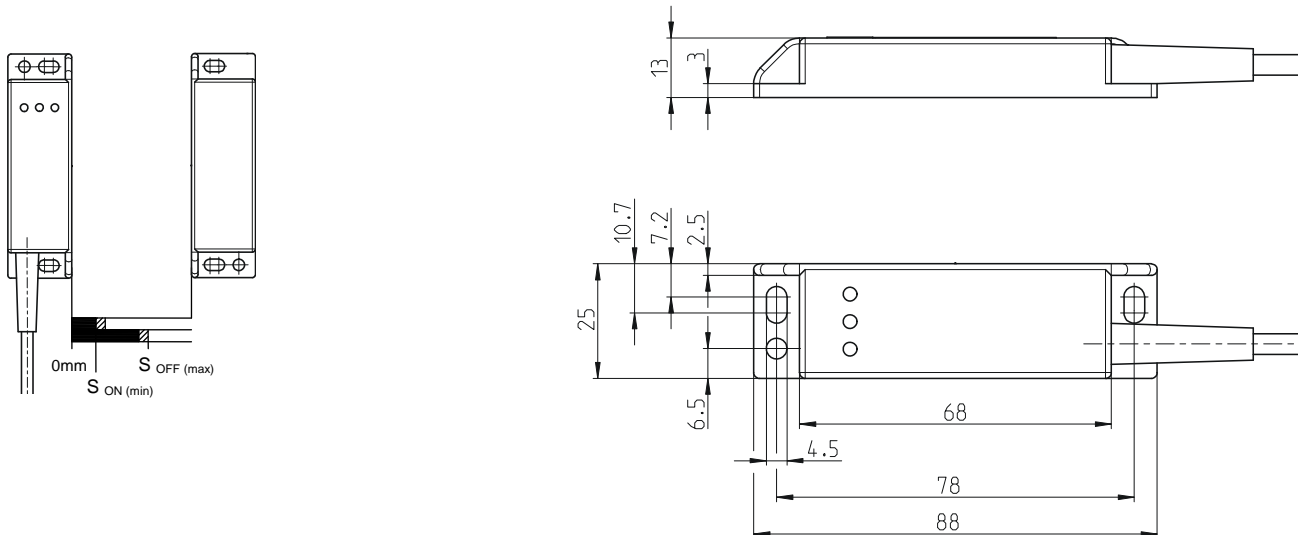
Magnetic Switch

Series MA-42-ASI

Type designation **ASI MAK 42**

Item number **6073200067**

Actuating direction / Operating distance



Technische Daten

Operating distance	S[mm]	min	typ.	max
		ON	5	-
		OFF	-	14
Reference magnet		6402042053 (TK - 42 - CD/2)		
Mechanical life		3 x 10 ⁸ switchings		
Repeat accuracy	R	± 0,1 mm under same geometrical conditions and at the same temperature		
Frequency of actuation		1Hz		

Electrical data

Operating voltage	U	18 ... 31,6 V; via AS-interface, reverse-polarity proof		
Operating current	I	< 40 mA		
AS-i Specifications		Profile S-0.B		
		IO-Code:	0x0	ID-Code: 0xB
		ID-Code1:	0xF	ID-Code2: 0xE
AS-i Inputs		Contact 1:	Date bits D0/D1 = static 00 or dynamic code transmission	
		Contact 2:	Date bits D2/D3 = static 00 or dynamic code transmission	
Parameter bits		no function		
AS-i Address		preset address: 0		

This document will not become the contractual basis; the details included herein do not constitute any descriptions of expected conditions, so that warranties/claims for defects on account of possible variations of the actual from the here described condition are excluded. Subject to modifications and amendments.

Date of issue: 08.03.2013 / Page 1 von 2
Document : 6073200067_en / Stand : 4 / 0121-13

Technical Data

Magnetic Switch



Mechanical data

Enclosure	PBT, black; encapsulated reed contact
Indication	3 LEDs (for diagnosis)
Ambient air temperature	-5° C ... +70° C
Protection class	IP67 acc. to IEC 529, EN 60529
Connection	Cable 4 x 0,25 mm ² x 2 m; PVC - Outer jacket, black; with M12-connector
	The length of the connecting cable is a part of the AS-i cable of max. 100 m.
Plug connection	1: AS-i + 2: free 3: AS-i - 4: free
Installation position	operator definable
Pollution degree	3 acc. to EN 60947-1

Standards

VDE 0660 T100, DIN EN 60947-1, IEC 60947-1
VDE 0660 T200, DIN EN 60947-5-1, IEC 60947-5-1
EN 50295, EN ISO 13849-1 (IEC/EN 61508, EN 60947-5-3)

EU Conformity

acc. to directive 2006/42/EC
acc. to directive 2004/108/EC

Safety Classification

according 13849-1 to PL e
MTTF_d acc. to EN ISO 13849-1: high
PFD acc. to EN 61508 : 4,79 * 10⁻⁹

Notes

These Gerber-systems provide with respect to the actuation a high manipulation protection and are not to operate with simple equipment such as depolarized magnets.

The Gerber- units are impact- and shock free to actuate.